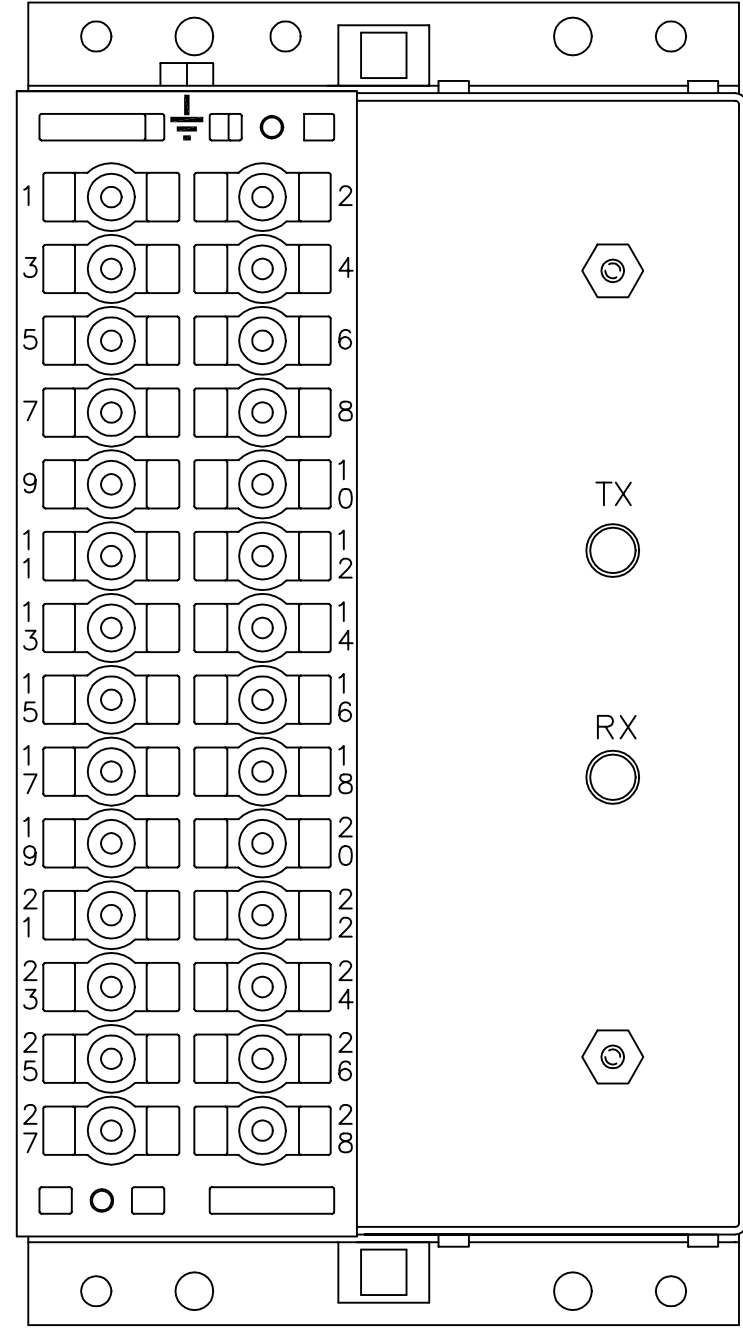
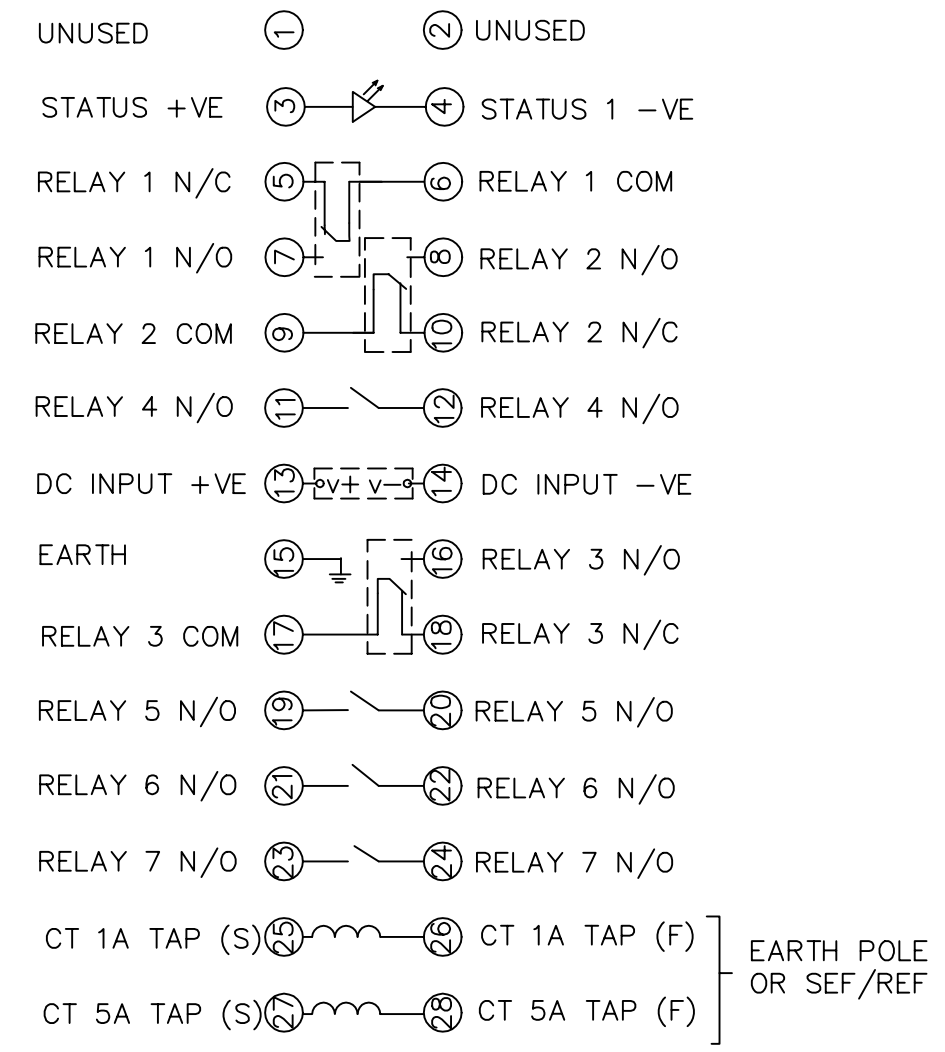


IF IN DOUBT ASK
DO NOT SCALE



BOX VIEWED FROM REAR

PROTECTION TYPE	SCHEMATIC DIAGRAM
SINGLE PHASE/EARTH	2434W10047 (A3)
SINGLE PHASE/SEF	2434W10048 (A3)



OUTER TERMINAL BLOCK ASSY:-
VIEW BLOCK FROM THE INSIDE FACE

ASSEMBLY INSTRUCTIONS:-
TYPICAL ASSEMBLY DRAWING 2995G10029
AT INDICATED POSITIONS FIT AS FOLLOWS,
S - FIT STANDARD CONTACT
2995B10051
HC - FIT 'HEAVY CURRENT' KIT
2995G10030
WHERE -o-o- IS SHOWN FIT
CT SHORTING KIT 2995G10031
POSITIONS SHOWN BLANK ARE UNUSED
ALL POSITIONS FIT SCREW 2106F12506

2	S	S	1
4	S	S	3
6	-o-o-	-o-o-	5
8	S	S	7
10	-o-o-	-o-o-	9
12	S	S	11
14	S	S	13
16	S	S	15
18	-o-o-	-o-o-	17
20	S	S	19
22	S	S	21
24	S	S	23
26	-o-o-	-o-o-	25
28	-o-o-	-o-o-	27

CHASSIS TERMINAL BLOCK ASSY :- (CHASS T/B 1)
VIEW FROM NUMBERED SIDE OF BLOCK

ASSEMBLY INSTRUCTIONS:-
TYPICAL ASSEMBLY DRAWING 2995G10032
AT INDICATED POSITIONS FIT AS FOLLOWS,
T - FIT TRIP ISOLATION CONTACT
2995B10053
S - FIT STANDARD CONTACT
2995B10054
POSITIONS SHOWN BLANK ARE UNUSED

2	S	S	1
4	T	T	3
6	S	S	5
8	T	T	7
10	S	S	9
12	T	T	11
14	S	S	13
16	T	T	15
18	S	S	17
20	T	T	19
22	T	T	21
24	T	T	23
26	S	S	25
28	S	S	27

NOTES:

- TERMINALS RECOMMENDED ARE PRE INSULATED & MUST BE CRIMPED USING APPROVED TOOLING. AMP PIDG OR PLASTI GRIP FUNNEL ENTRY (RING TONGUE) FOR M4 FIXING STUD.

SUPPLIER	AMP	CABLE SIZE
AMP	342103	0.25-1.6 SQ MM
AMP	342143	1.0-2.6 SQ MM.

 OR ANY OTHER MANUFACTURERS EQUIVALENT TERMINAL.
- FOR OUTLINE & DRILLING DRG SEE 2995X10004 (A4).
- FOR TYPICAL CHASSIS ASSEMBLY SEE 2434H50004.
FOR TYPICAL CASE ASSEMBLY - ST COMMS. - SEE 2434H50007 (STANDARD RELAY)
FOR TYPICAL CASE ASSEMBLY - SMA COMMS. - SEE 2434H50001 (NOW NON-STANDARD)

NOT SUBJECT TO UPDATE
ONCE COPIED / PRINTED
OR DOWNLOADED

MATERIAL:

Dimensions in millimetres ; Surface texture in micrometres.
Machine where marked ✓
For explanation of dimensions, tolerances, notes etc. see B.S.308.
Limit on untoleranced unmachined dimensions ± _____
Limits on untoleranced machined dimensions to B.S.4500;
i.e. up to 6±0.1; over 30 to 120±0.3; over 315±0.8;
over 6 to 30±0.2; over 120 to 315±0.5;
General unmachined angular tolerance ± _____

Finish: _____
Treatment: _____

Title:
TERMINAL IDENTIFICATION & RELAY WIRING DIAGRAM
1 POLE DCD RELAY (E4 CASE)
**Reyrolle Protection
Hebburn.**
Original Scale:
1:1

First used on: _____
Similar Articles: _____
Supersedes: _____
Drg. No. **2434W50002**

DRAWN	M LEASK	CHECKED	APPROVED	R.D.WATSON	DATE	15/07/02	IE	OPS	PCP	Purch.Spec.	TQ	EAC	CE	STD	A2
-------	---------	---------	----------	------------	------	----------	----	-----	-----	-------------	----	-----	----	-----	----

Copyright © 1999 Reyrolle Ltd.

4RDW	09/06/02	MN434/2535
3	18/4/01	MN434/2292
2	22/11/99	MN434/150
1	20/7/99	CHANGE
ISSUE	DATE	NOTED